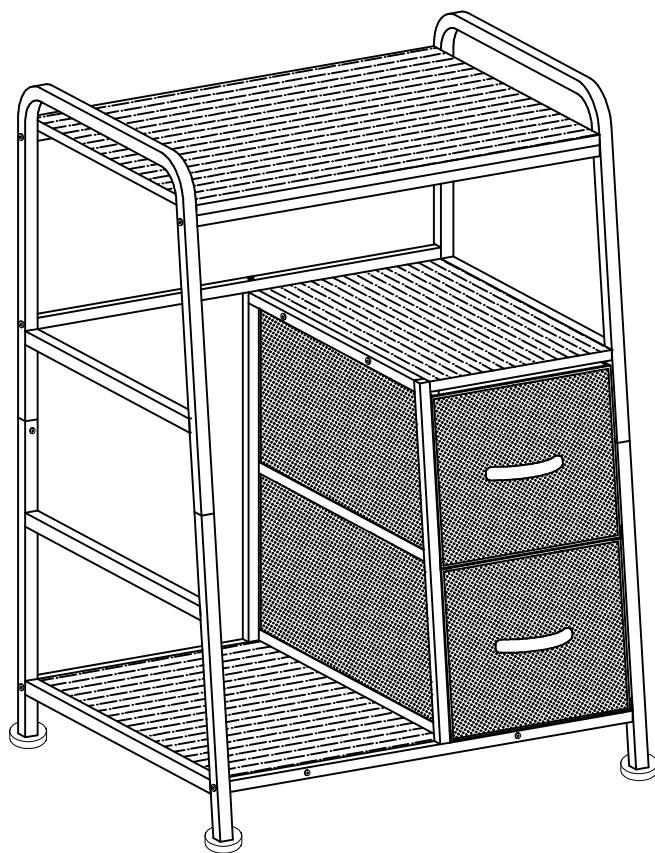
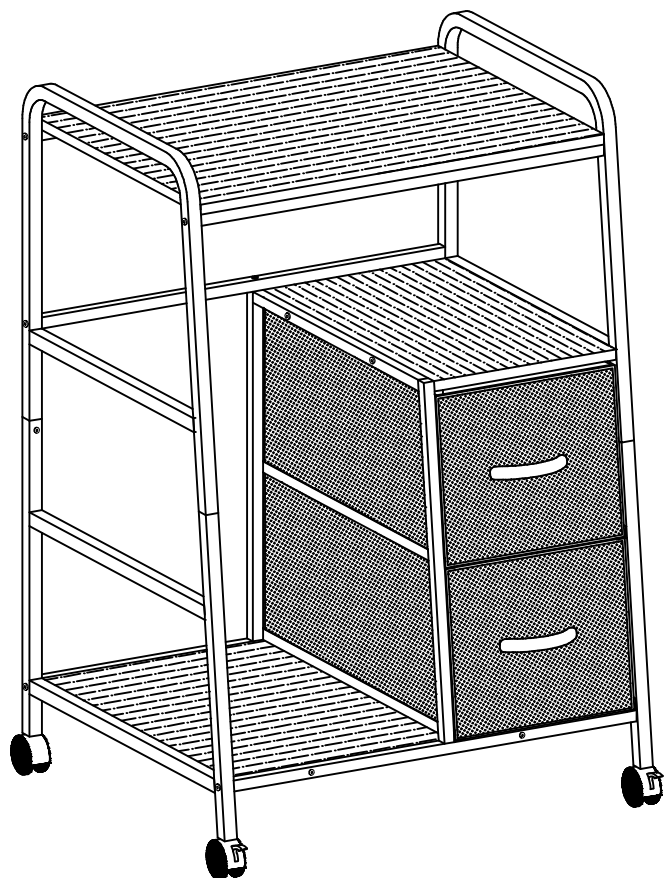


# ZEXVIDA

**Beautiful Living Starts Small**



**Printer Stand with Storage**  
**Assembly Instruction**

# Product Manual

## **Thank you for choosing our product!**

We hope it brings both beauty and functionality to your home. To ensure your safety and the longevity of the item, please take a moment to read the following care and usage guidelines:

### **1. Indoor Use Only**

This product is designed for indoor use. For best performance and safety, please assemble and use it according to the instructions in the manual.

### **2. Assembly & Use Safety**

We kindly remind you that incorrect assembly or improper use may cause damage or injury. Please follow the manual carefully. We are unable to take responsibility for issues arising from misuse.

### **3. Humidity Care**

To help prevent mildew and maintain product quality, avoid placing it in areas with prolonged humidity.

### **4. Keep Away from Heat**

Please place the product away from direct sunlight, high temperatures, or open flames to preserve its condition and ensure safety.

### **5. No Hot Objects**

Kindly avoid placing hot items directly on the surface to protect it from damage.

### **6. Assembly Preparation**

When assembling, choose a clean and spacious area. We recommend not placing the unwrapped parts directly on the floor to avoid scratches or dents.

### **7. Weight Limits**

For your safety, please do not sit or stand on the wooden boards.

### **8. Protective Gear**

We recommend wearing gloves during assembly or disassembly to protect your hands from any sharp edges.

### **9. Screw Alignment**

Start by gently aligning all screws with their corresponding pre-drilled holes. Once all parts are in place, tighten the screws one by one.

### **10. Match Parts Carefully**

Each part is labeled to match the manual. Please follow the part numbers closely for a smooth assembly experience.

### **11. Routine Checks**

Over time, please check the tightness of the screws. If any feel loose, kindly retighten them to keep the structure stable and secure.

### **12. Spill Care**

If any water or liquid is spilled, please wipe it away immediately with a dry towel to prevent staining or warping.

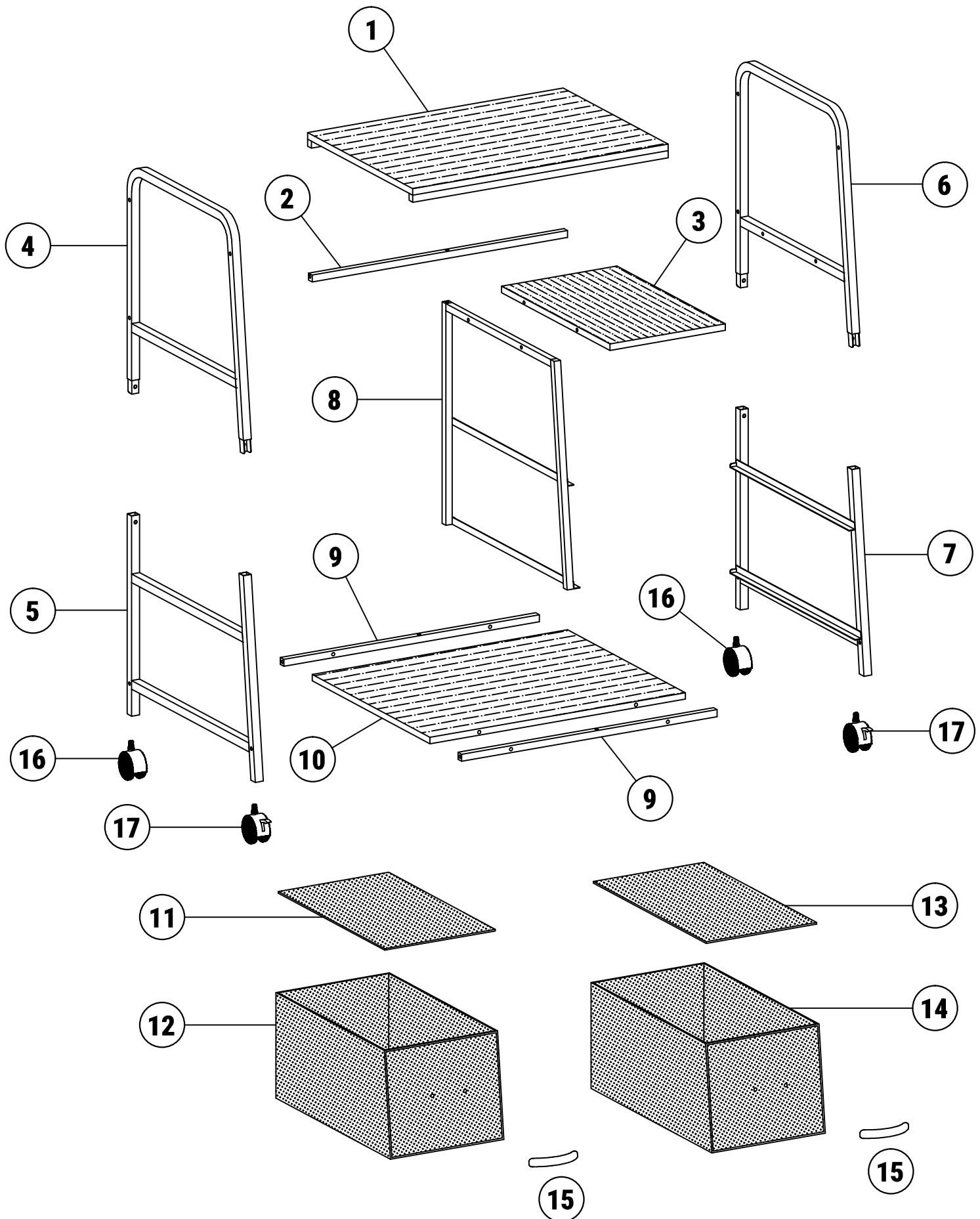
### **13. Surface Protection**

To keep your product looking its best, avoid contact with sharp objects and corrosive materials.

### **14. Stable Placement**

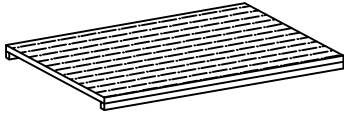
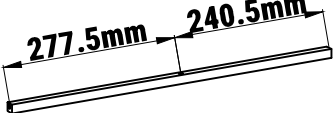
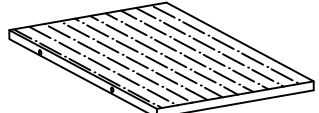
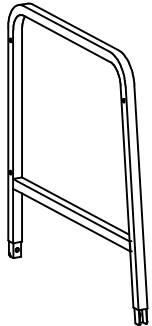
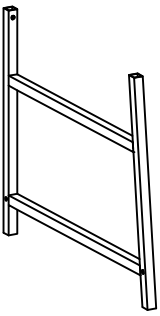
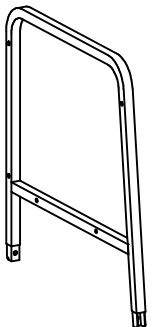
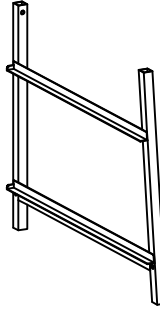
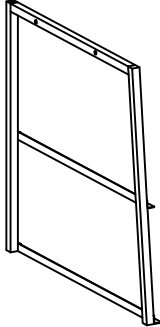
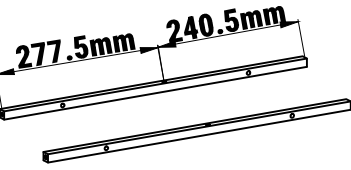
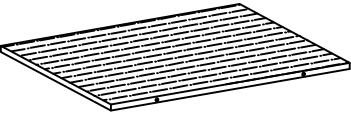

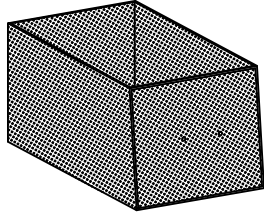

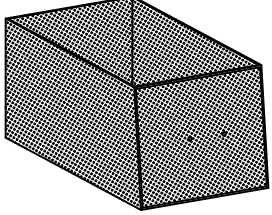



Place the item on a level, sturdy surface. If you notice any wobbling after assembly, you can gently adjust the foot pads to balance the product.

# Part Number Info



# Assembly Instruction

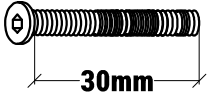
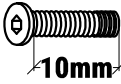
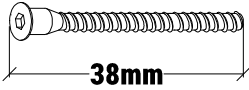

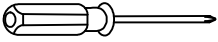

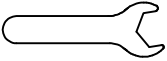
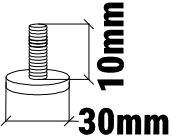
**Caution:** Please read all instructions carefully before starting the assembly process.

<p>①</p>  <p>518mm*373mm*12mm Top Panel ①: 1PC</p>	<p>②</p>  <p>518mm*13mm*13mm Connecting Rod ②: 1PC</p>	<p>③</p>  <p>384mm*234mm*12mm Shelf Panel ③: 1PC</p>	<p>④</p>  <p>413mm*400mm*16mm Left Upper Leg Frame ④: 1PC</p>
<p>⑤</p>  <p>455mm*395mm*16mm Left Lower Leg Frame ⑤: 1PC</p>	<p>⑥</p>  <p>413mm*400mm*16mm Right Upper Leg Frame ⑥: 1PC</p>	<p>⑦</p>  <p>455mm*395mm*16mm Right Lower Leg Frame ⑦: 1PC</p>	<p>⑧</p>  <p>444mm*410mm*13mm Middle Leg Frame ⑧: 1PC</p>
<p>⑨</p>  <p>518mm*13mm*13mm Connecting Rod ⑨: 2PCS</p>	<p>⑩</p>  <p>518mm*373mm*12mm Bottom Panel ⑩: 1PC</p>	<p>⑪</p>  <p>378mm*224mm*3mm Upper Drawer Bottom Panel ⑪: 1PC</p>	<p>⑫</p>  <p>384mm*230mm*196mm Upper Drawer ⑫: 1PC</p>
<p>⑬</p>  <p>400mm*224mm*3mm Lower Drawer Bottom Panel ⑬: 1PC</p>	<p>⑭</p>  <p>406mm*230mm*196mm Lower Drawer ⑭: 1PC</p>	<p>⑮</p>  <p>L127mm Handle ⑮: 2PCS</p>	<p>⑯</p>  <p>39*30*65mm casters ⑯: 2PCS</p> <p>⑰</p>  <p>39*30*65mm Caster with Brake ⑰: 2PCS</p>

# Assembly Instruction

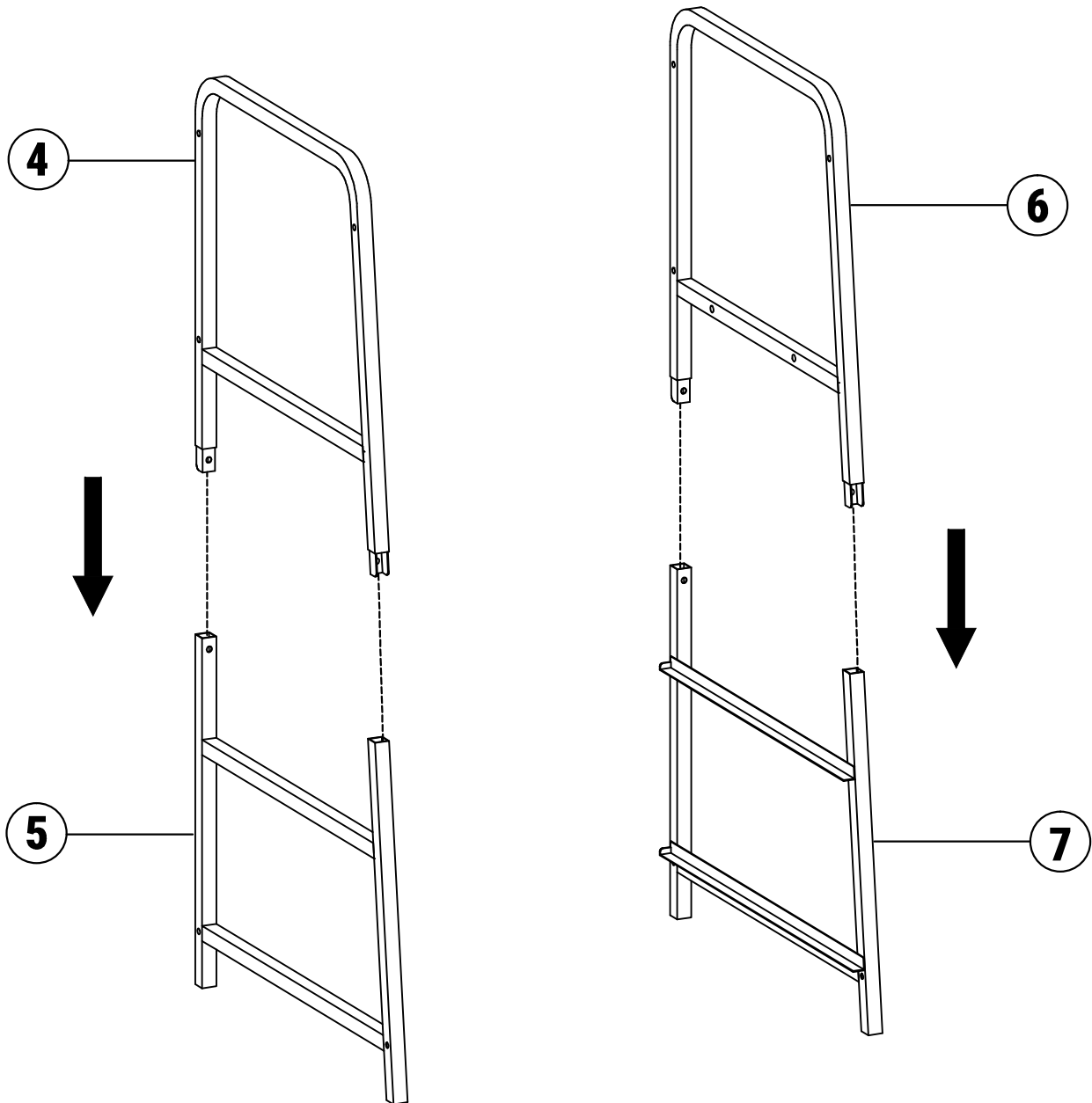
**Caution:** Please read all instructions carefully before starting the assembly process.

## HARDWARE LIST

ITEM	DRAWING	DESCRIPTION	SIZE	Q'TY
A		Bolt	Øm6*30MM	13pcs
B		Bolt	Øm6*10MM	4pcs
C		Bolt	Øm6*38MM	8pcs
D		Bolt	Øm4*12MM	4pcs
E		Screwdriver	L 106MM	1pc
F		Wrench	100*25*4MM	1pc
G		Wrench	60*25MM	1pc
H		Foot pad	Ø30*m8*10MM	4pcs

# Assembly Instruction

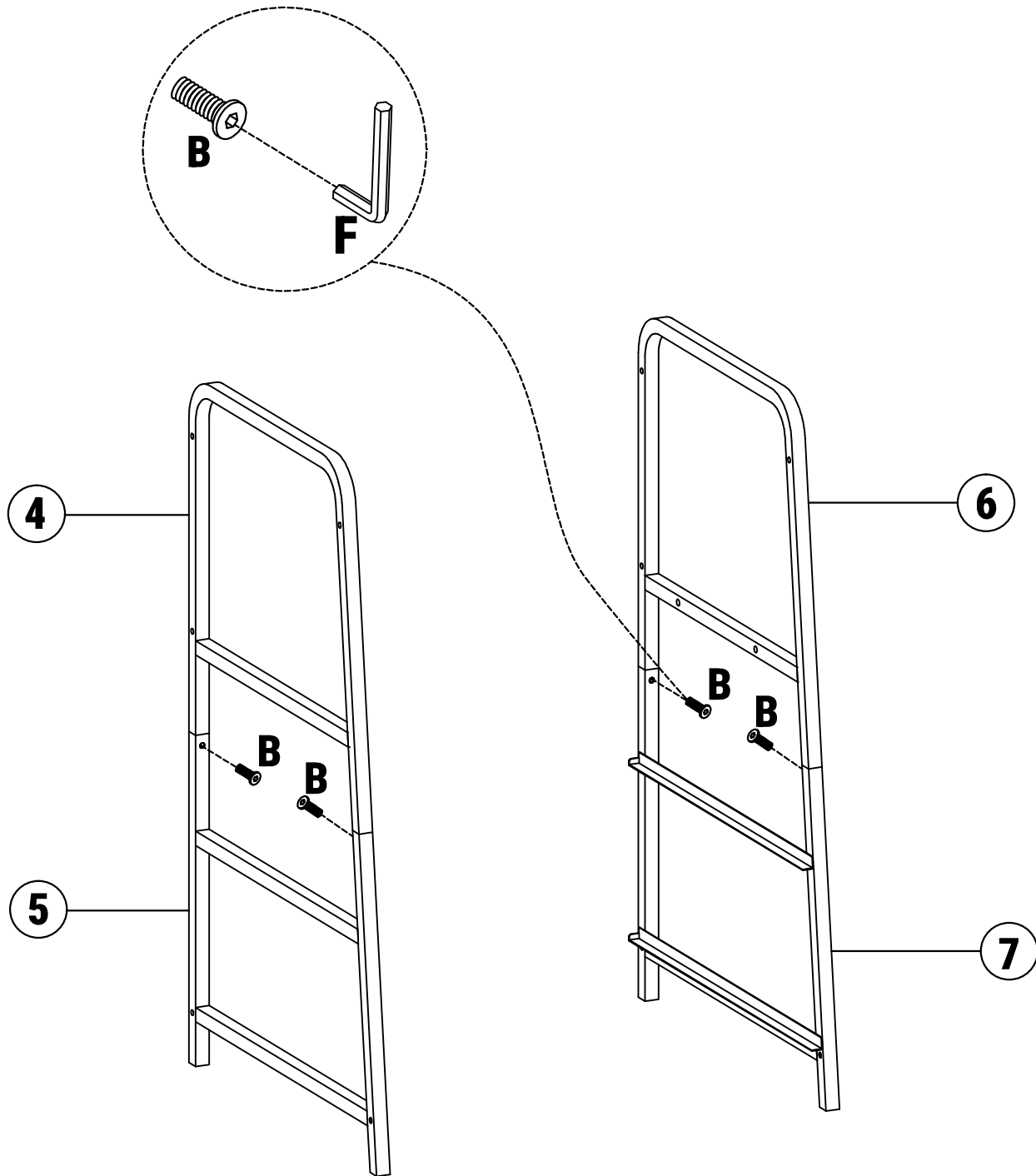
## STEP 1



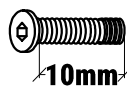
**As shown in the figure: Connect the left upper leg frame ④ to the left lower leg frame ⑤, and connect the right upper leg frame ⑥ to the right lower leg frame ⑦.**

# Assembly Instruction

## STEP 2



**B**



**Bolt**

**Øm6\*10MM**

**4pcs**

**Use screws B to assemble the upper and lower leg frames.**

# Assembly Instruction

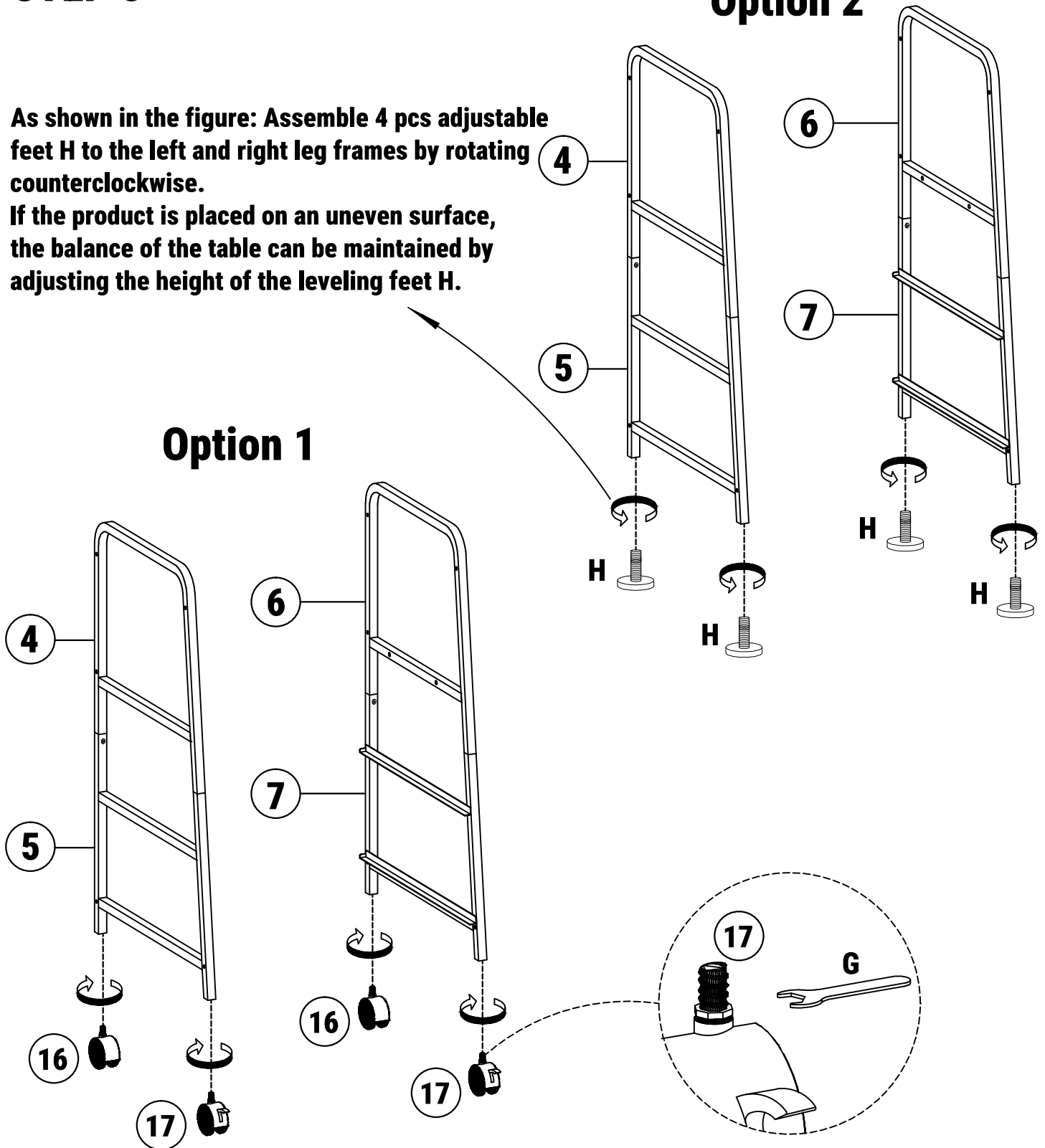
## STEP 3

As shown in the figure: Assemble 4 pcs adjustable feet H to the left and right leg frames by rotating counterclockwise.

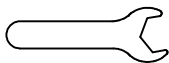
If the product is placed on an uneven surface, the balance of the table can be maintained by adjusting the height of the leveling feet H.

### Option 2

### Option 1



G



Wrench

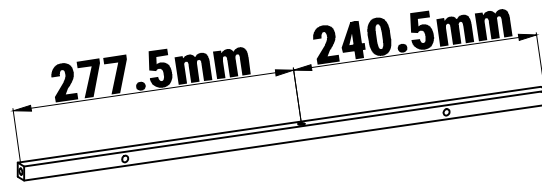
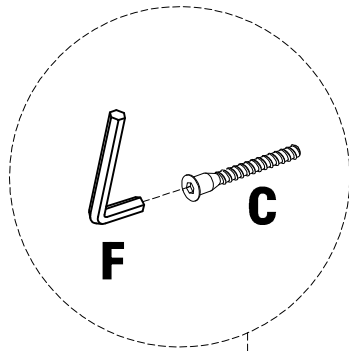
60\*25MM

1pc

As shown in the figure: Use wrench G to assemble 2 pcs casters (16) and 2 pcs brake casters (17) to the left and right leg frames.

# Assembly Instruction

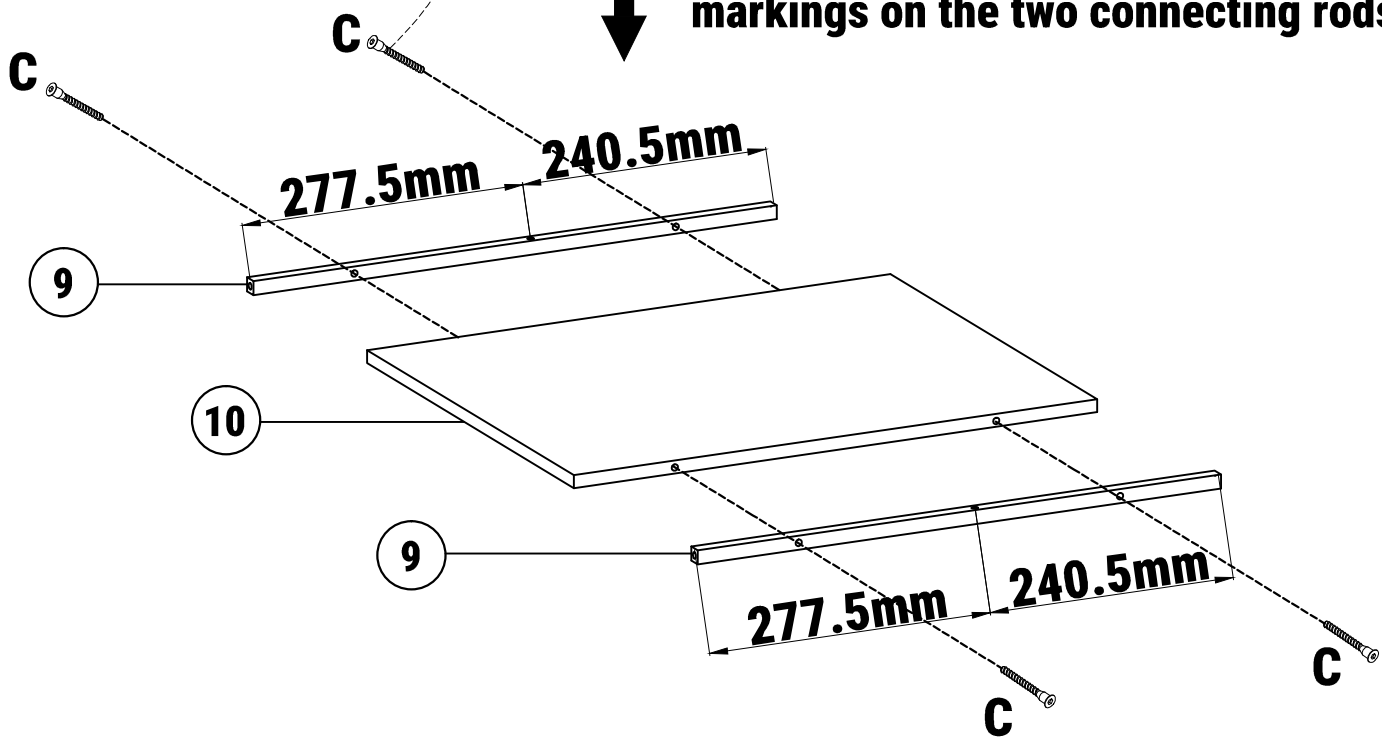
## STEP 4



Connecting Rod ⑨: 2PCS



Please note: the orientation of the hole markings on the two connecting rods ⑨



C



Bolt

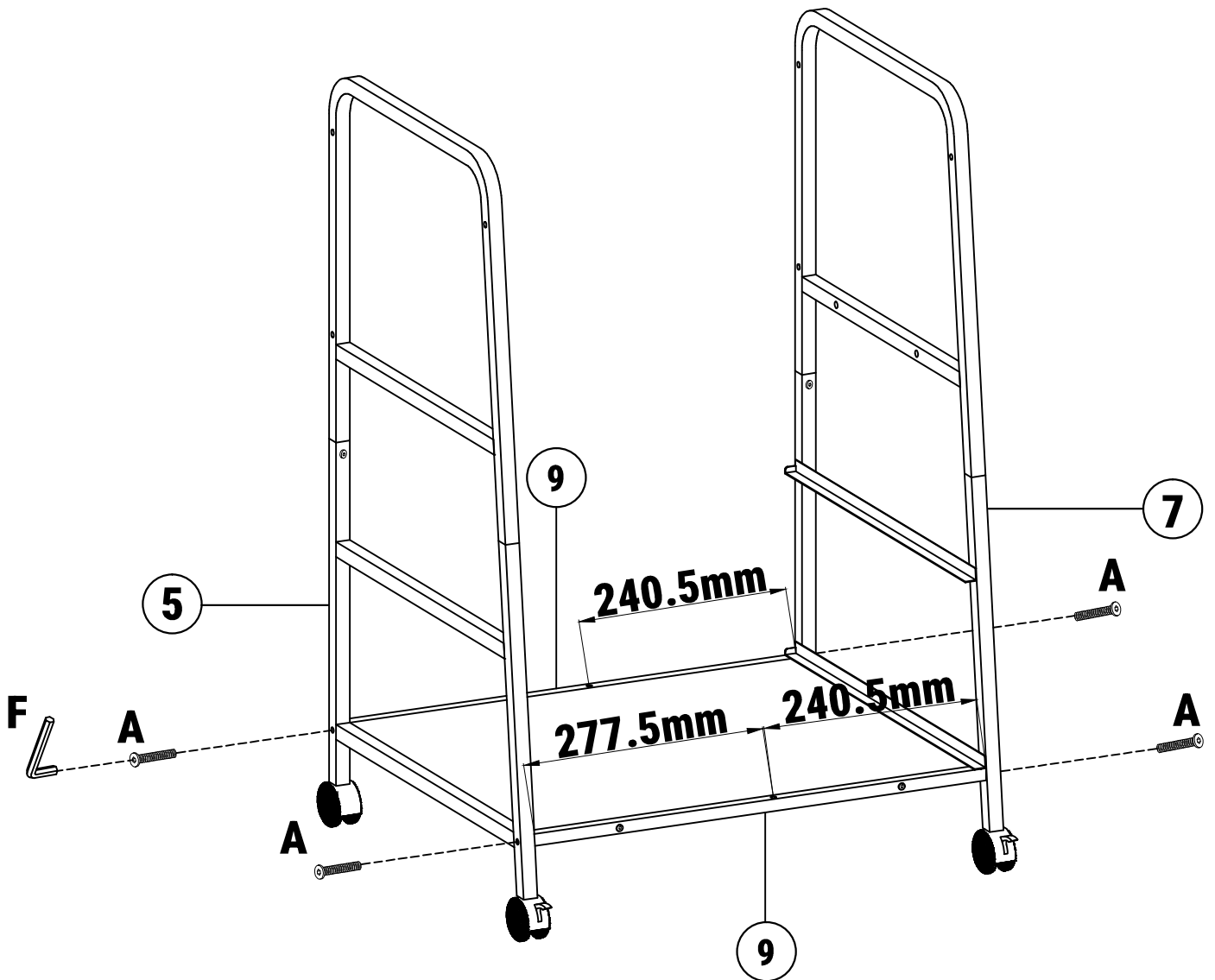
Øm6\*38MM

4pcs

Use screws C to assemble the 2 pcs connecting rods ⑨ to the bottom panel ⑩.

# Assembly Instruction

## STEP 5



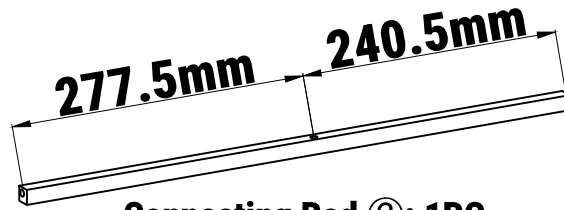
**Please note: the direction of the hole markings on connecting rod ⑨**

A		Bolt	Øm6*30MM	4pcs
---	---	------	----------	------

**As shown in the figure: Use screws A to assemble the connecting rod ⑨ to the left lower leg frame ⑤ and right lower leg frame ⑦.**

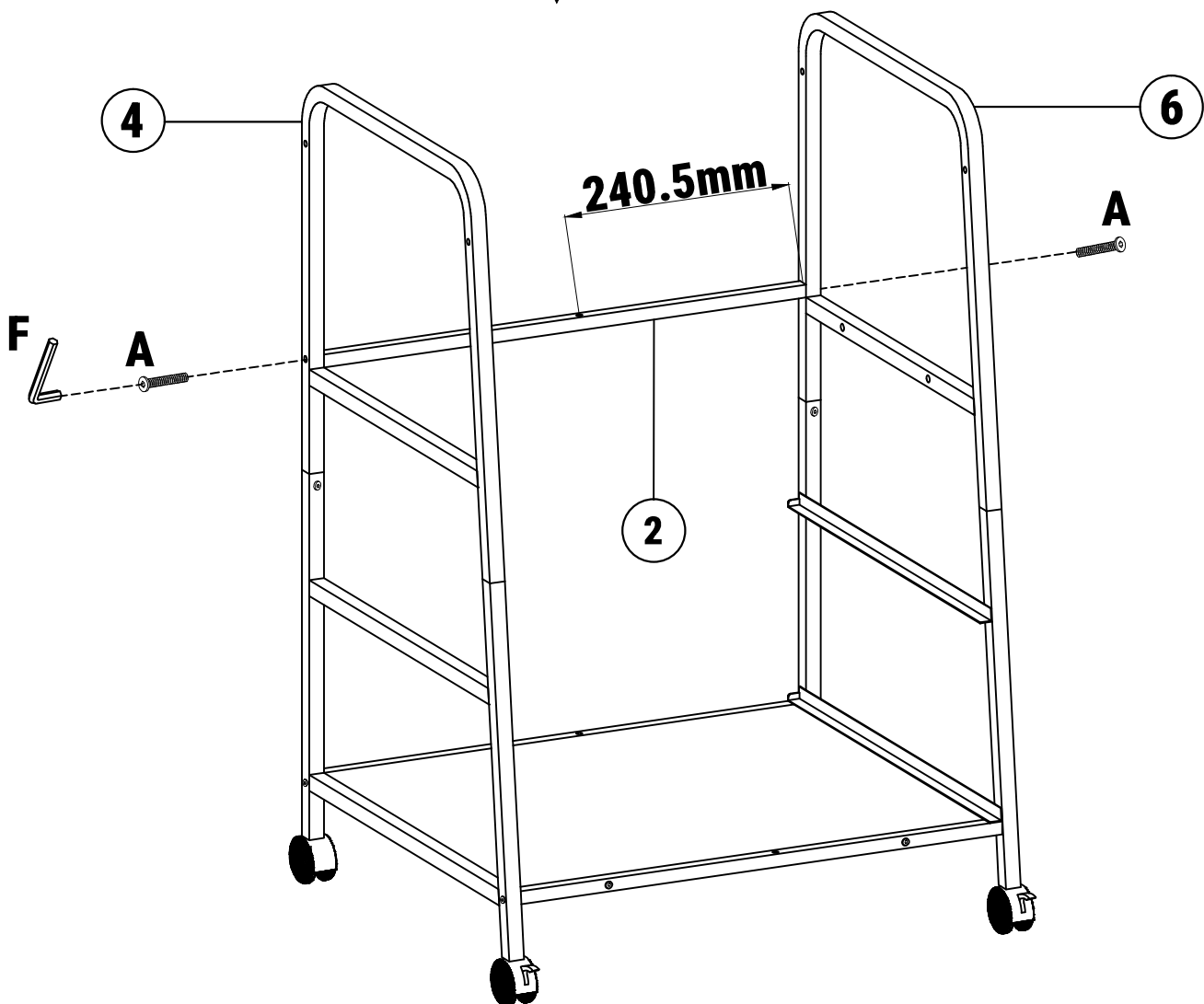
# Assembly Instruction

## STEP 6



Connecting Rod ②: 1PC

Please note: the direction of the hole markings on connecting rod ②

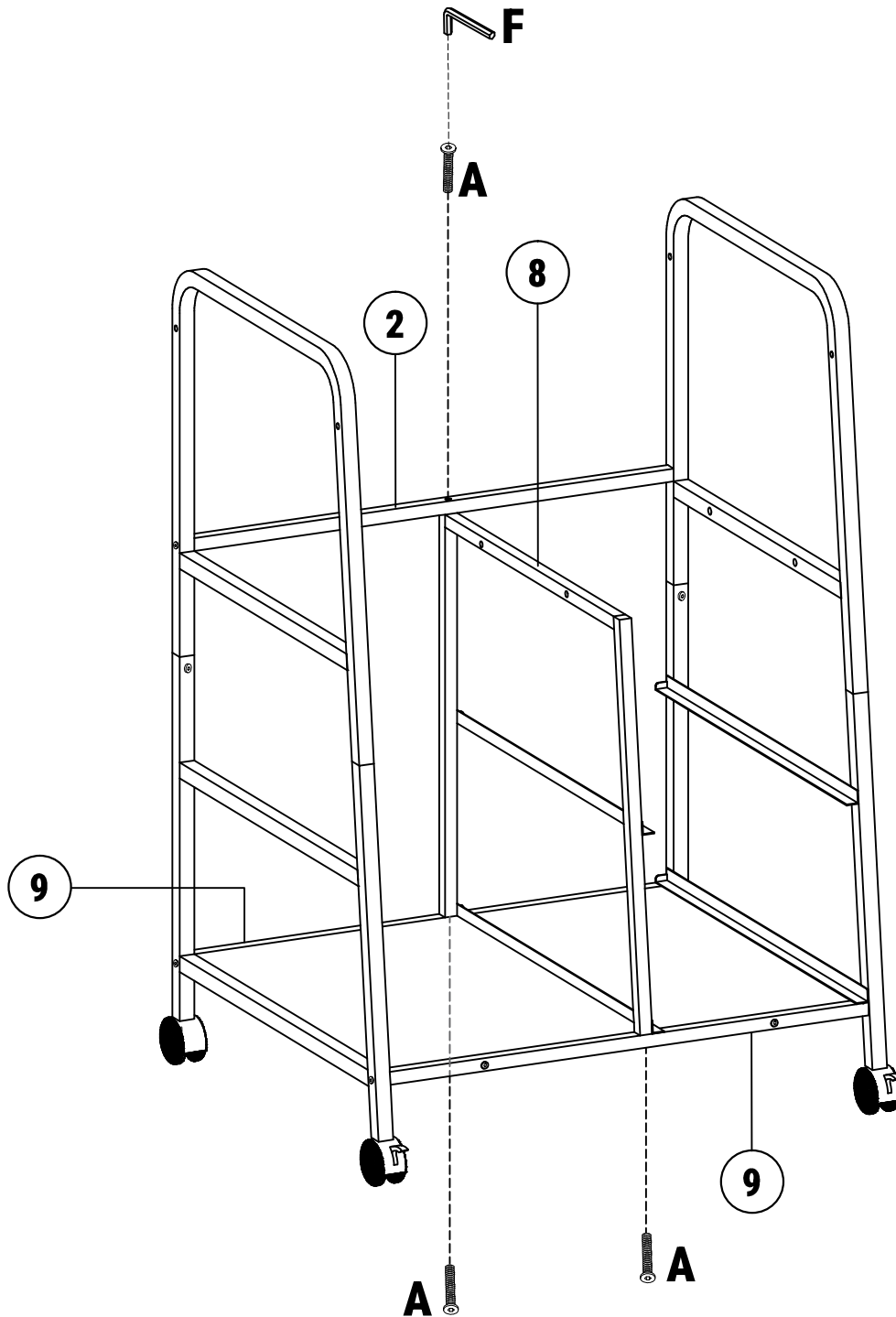


A		Bolt	Øm6*30MM	2pcs
---	---	------	----------	------

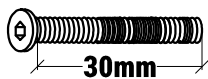
As shown in the figure: Use screws A to assemble the connecting rod ② to the left upper leg frame ④ and right upper leg frame ⑥.

# Assembly Instruction

## STEP 7



A



Bolt

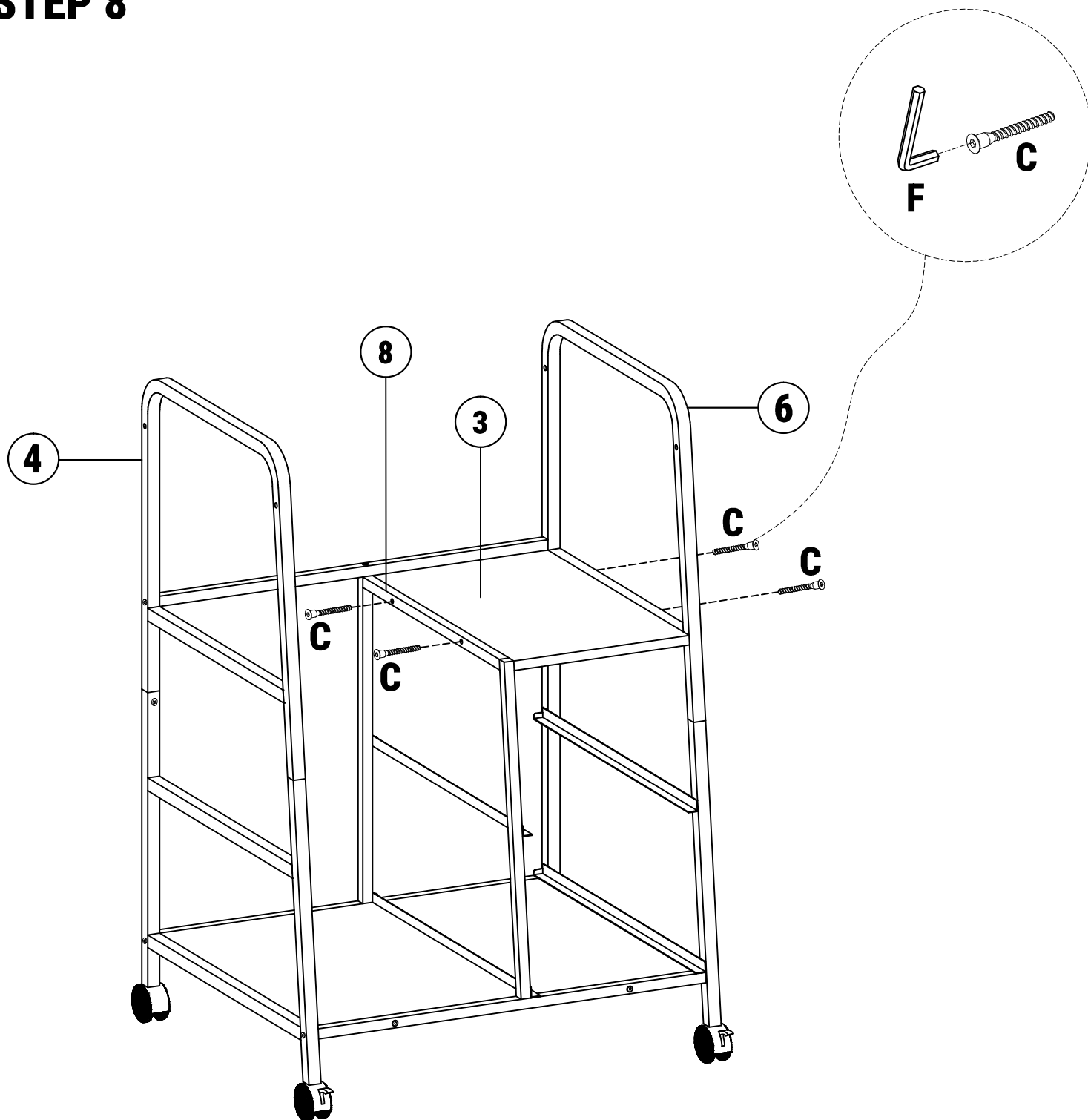
Øm6\*30MM

3pcs

Use screws A to assemble the middle leg frame (8) to the connecting rod (2) and connecting rod (9).

# Assembly Instruction

## STEP 8



C



Bolt

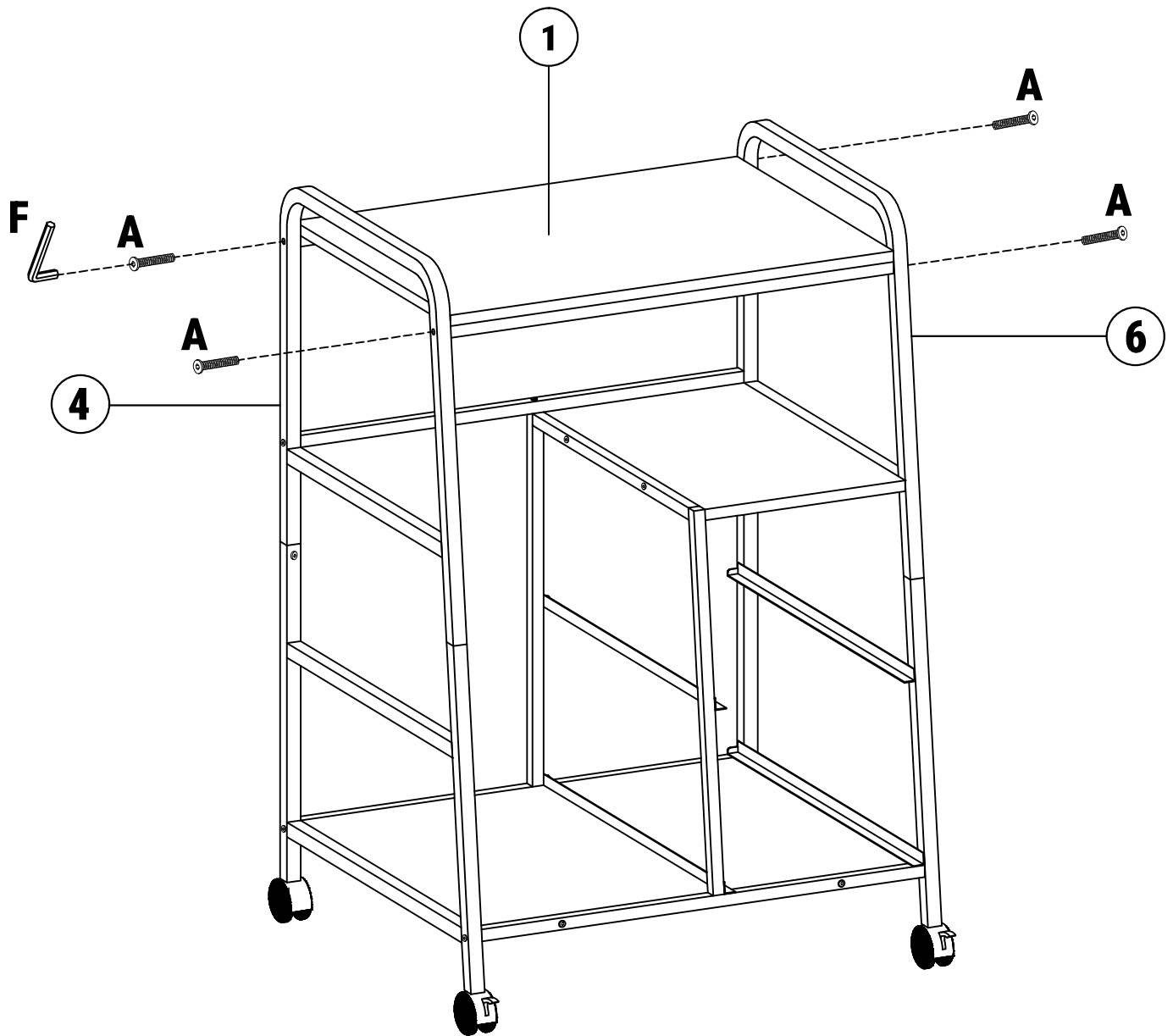
Øm6\*38MM

4pcs

**As shown in the figure: Use screws C to assemble the shelf panel ③ to the middle leg frame ⑧ and right upper leg frame ⑥.**

# Assembly Instruction

## STEP 9

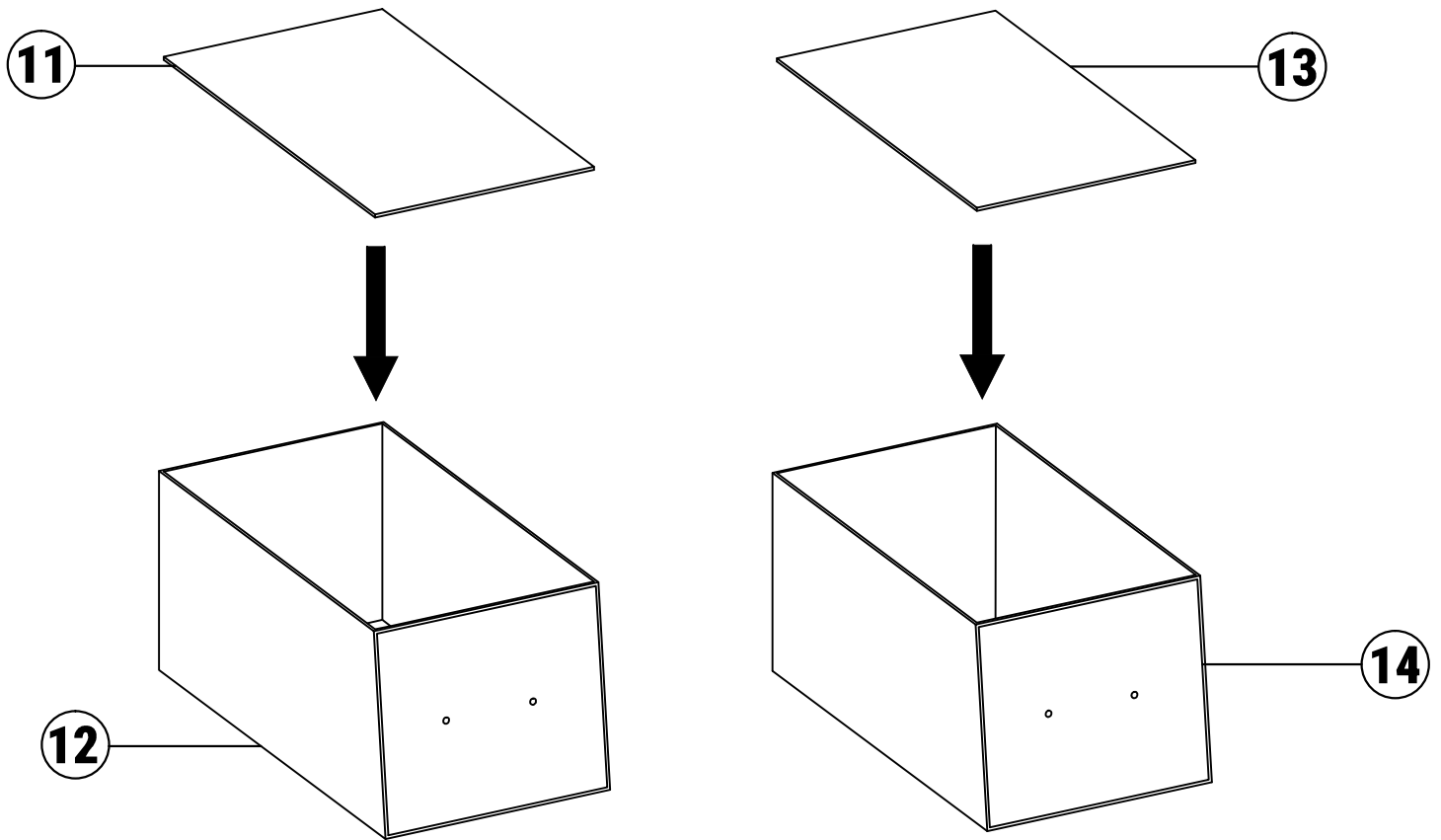


A		Bolt	Øm6*30MM	4pcs
---	---	------	----------	------

Use screws A to assemble the top panel ① to the left upper leg frame ④ and right upper leg frame ⑥.

# Assembly Instruction

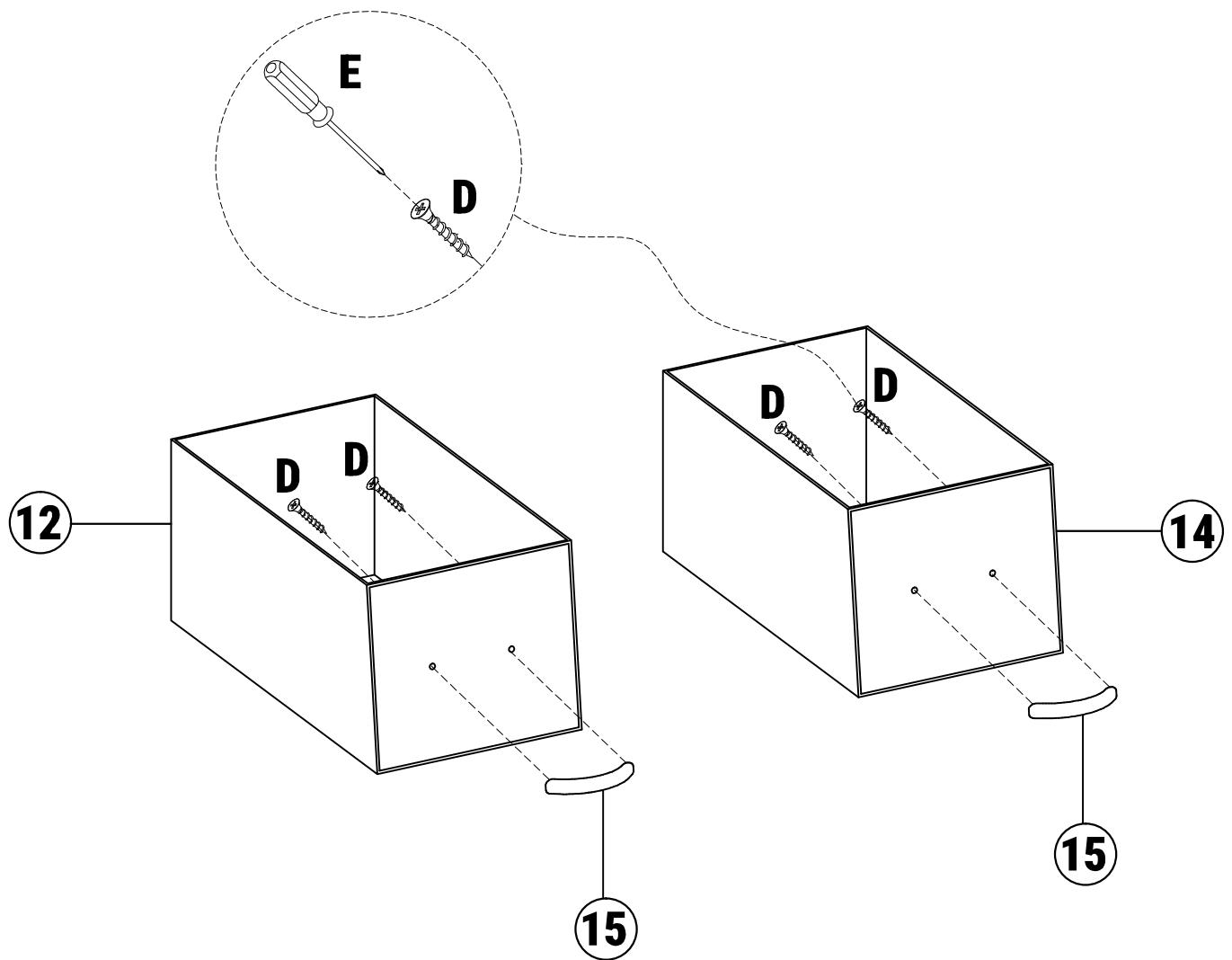
## STEP 10



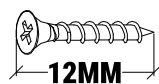
**As shown in the figure: Place the upper drawer bottom panel ⑪ into the upper drawer ⑫, and place the lower drawer bottom panel ⑬ into the lower drawer ⑭.**

# Assembly Instruction

## STEP 11



D



Bolt

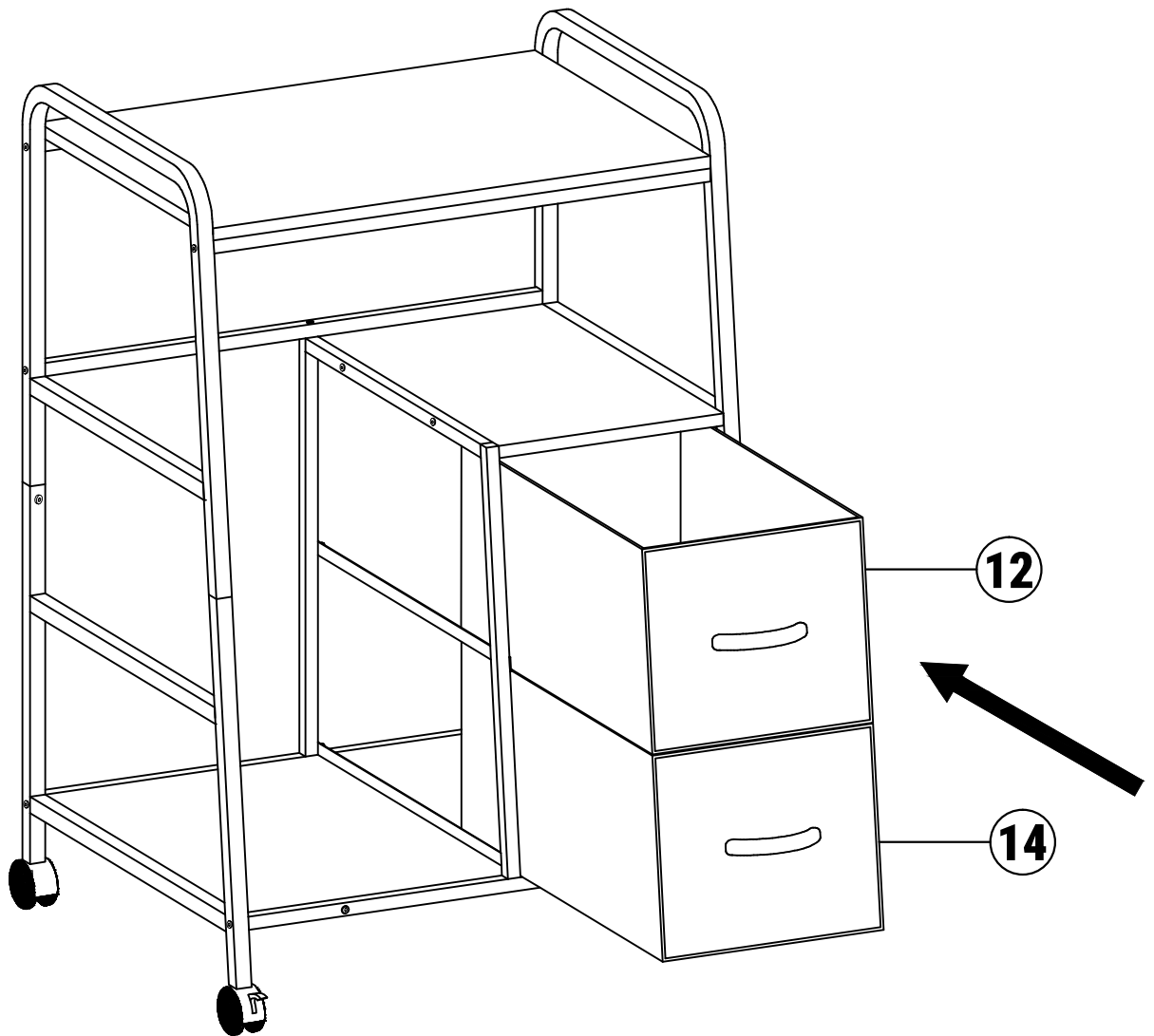
Øm4\*12MM

4pcs

Use screws D to assemble the handles (15) to the upper drawer (12) and lower drawer (14).

# Assembly Instruction

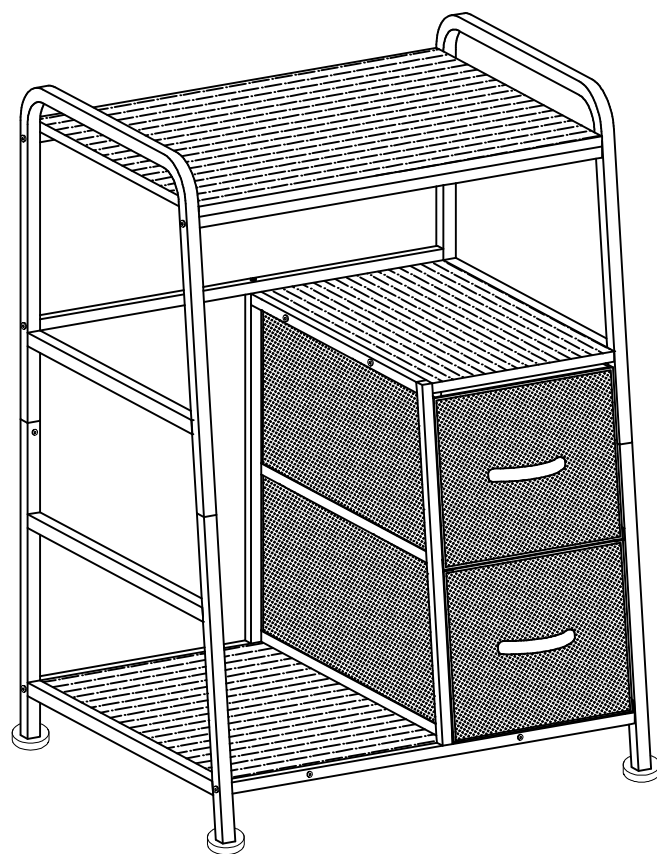
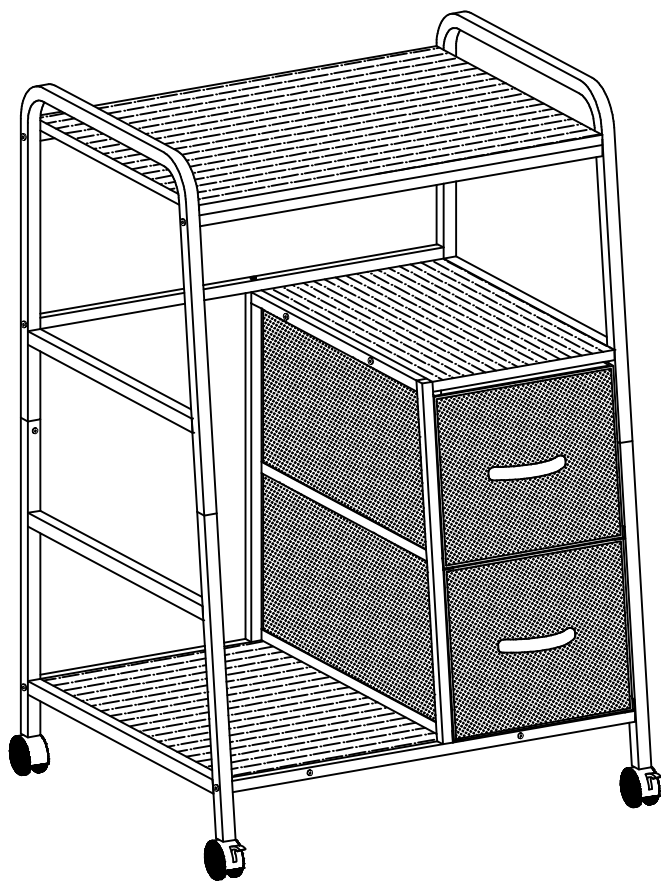
## STEP 12



**Install the drawers into the frame.**

# Present You by ZEXVIDA

## STEP 13



**Thank you for purchasing this product. If you have any questions, please contact us, and we will address your concerns promptly.**